

DH9335 RC-DCF USER MANUAL

1. Features

1.1 Time

- Radio Controlled Time (RC-DCF)
- 12/24 hour time display selectable
- Daily Alarm function
- Perpetual Calendar Up to Year 2099
- Day of week in 10 languages user selectable

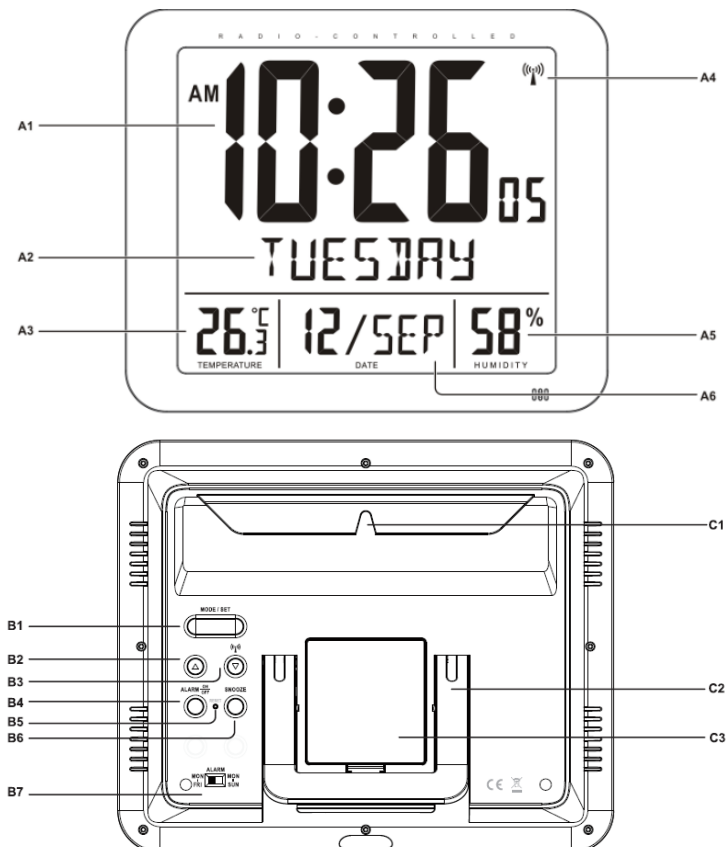
1.2 Temperature

- Indoor measurable range: -10°C ~+ 50°C
- Measures °C / °F user selectable

1.3 Humidity

- Indoor measurable range: 20% ~ 99%

2. Unit Appearance



Part A:

A1: Time Display
A2: Day of Week
A3: Temperature

A4: Radio Controlled Icon
A5: Humidity
A6: Date

Part B:

B1: "MODE/SET" button

B2: "▲" button

B3: "▼/📶" button

B4: "ALARM ON/OFF" button

B5: "RESET" button

B6: "SNOOZE" button

B7: Alarm mode slide switch

Part C:

C1: Wall Mount Hole

C2: Stand

C3: Battery Compartment

3. Getting Started:

3.1 Main Unit:




- Slide open battery compartment cover [C3]
- Insert 4 x AA size batteries observing polarity ["+" and "-" marks].
- Replace battery compartment cover [C3]


4. Time and Alarm Setting

4.1 Radio Controlled Clock:

- After batteries inserted, the clock automatically starts to scan the DCF time signal.

Radio Control Icon "📶" flashes on the LCD.

 flashes, Indicating now is receiving DCF signal	 turns on, Indicating signal received successfully	 disappear, Indicating signal reception failed
---	---	---

- The clock automatically scans the time signal at 3.00 a.m. every day to maintain accurate timing. If reception fail, scanning stops ("📶" on LCD disappear)
- The clock can be set to scan the time signal manually by holding "📶" button (B3) for 3 seconds. Each reception takes about 5 minutes.
- Stop scanning by holding "📶" button (B3) for 3 seconds.
-  "DST" shown on the LCD if it is in Daylight Saving Time Mode

4.2 Manual Time Setting:

- In time display mode, hold "MODE" button (B1) for 3 seconds to enter Clock/Calendar setting Mode.

- Press “△” (B2) or “▽” (B3) button to adjust the setting and press “MODE” button (B1) to confirm each setting.
(By keeping the “△” (B2) or “▽” (B3) button pressed, could accelerate the process and reach the desired value more quickly)
- The setting sequence is shown as follow: 12/24Hour, RCC on/off, Time Zone, Weekday Language, Hour, Minute, Second, Year, Month, Date, Temperature Unit, Alarm sound duration.
- There are 10 languages for day of week: German, English, French, Italian, Dutch, Spanish, Danish, Czech, Polish, Swedish

Note:

- (1) All Setting mode will automatically exit in 15 seconds without any adjustment
- (2) For Time Zone: If you receive no RC-DCF frequency signal, the time zone should be set to 0. Time Zone is used in countries which can received the DCF frequency signal but the time zone is different from German Time (i.e. GMT+1).
- (3) Alarm sound duration: there are two options available, “1 minute” and “2 minutes”.
- (4) Second only can be adjusted to 0.

4.3 Daily Alarm Function:

- Press “ MODE” button (B1) select to view alarm Time, “ALARM TIME” flashes on the display
- When viewing the Alarm Time, hold “MODE” button (B1) for 3 seconds to enter alarm time setting. Press “△” (B2) or “▽” (B3) button to adjust the alarm time. Press “MODE” button (B1) to confirm the setting.

4.3 Snooze Alarm Function:

- Press “ALARM ON/OFF” Button (B4) to activate or deactivate the alarm. If the alarm is on, alarm icon " 📌 " appears on the display.
Slide alarm mode switch (B7) to select the daily alarm alerts in weekday only from Monday to Friday or whole week from Monday to Sunday.
- Press “SNOOZE” (B6) button when alarm alerts. The alarm snoozes for around 5 minutes, then it alerts again. “📌” flashes on the LCD during the snooze time. This process can be repeated 7 times.
- Except “SNOOZE” button, press any buttons to stop snooze alarm. Otherwise, base on the previous setting of alarm sound duration, the alarm alerts for 2 minutes or 1 minute, then stops automatically.

5. Thermometer

- If the temperature is out of the measurable range, LL.L (beyond the minimum temperature) or HH.H (beyond the maximum temperature) will be shown on the LCD.
- If the humidity is lower than 20%, 20% will be shown on the LCD, and display 99% when it's higher than 99%.

6. Precautions

- *The clock loses its time information when the battery is removed.*
- *Do not expose it to direct sunlight, heavy heat, cold, high humidity or wet areas*
- *Never clean the device using abrasive or corrosive materials or products. Abrasive cleaning agents may scratch plastic parts and corrode electronic circuits*